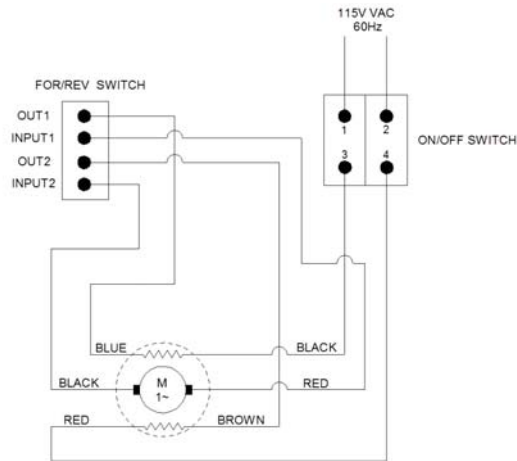


**NOTE: Order parts by Catalog Number only.
DO NOT order by Reference Number.**

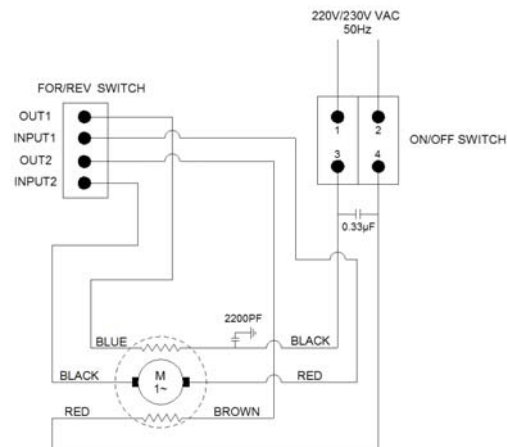
Ref. No.	Catalog No.	Description
1	45663	Linecord 115V CE
	45668	Linecord 115V CSA
	45673	Linecord 220V CN
	45678	Linecord 230V CE
	45683	Linecord Swiss
2	45658	Strain Relief
3	45618	Capacitor (230V Only)
4	45613	Slide Switch
5	45608	FOR/REV Switch
6	45633	Left Handle
7	45778	Red Brush Lead
8	45783	Black Brush Lead
9	45598	Brush Cap (2)
10	45593	Brush Assembly 115V (2)
	45588	Brush Assembly 230V (2)
11	45583	Brush Holder (2)
12	45578	Motor Housing
13	45758	Red Field Lead
14	45763	Blue Field Lead
15	45768	Brown Field Lead
16	45773	Black Field Lead
17	45573	Field Mounting Screw (2)
18	45563	Field 115V
	45568	Field 220V/230V
19	47108	Warning Decal
20	45623	ON/OFF Trigger
21	45603	Right Handle
22	45628	Screw (2)
23	45498	Screw (6)
24	45638	Screw (3)
25	45653	Screw (2)
26	45648	Cord Clamp
27	45558	Fan Shroud
28	45553	Bearing Sleeve
29	45548	Armature Bearing
30	45543	Dust Shroud
31	45528	Armature Pinion Bearing
32	45533	Armature Asm. 115V
	45538	Armature Asm. 230V
33	47798	Gasket
34	45223	Spring Ring
35	45518	Spacer Bearing
36	45513	Bearing Washer
37	43232	Fan Housing
38	45508	Washer(4)

Wiring Diagrams

115V

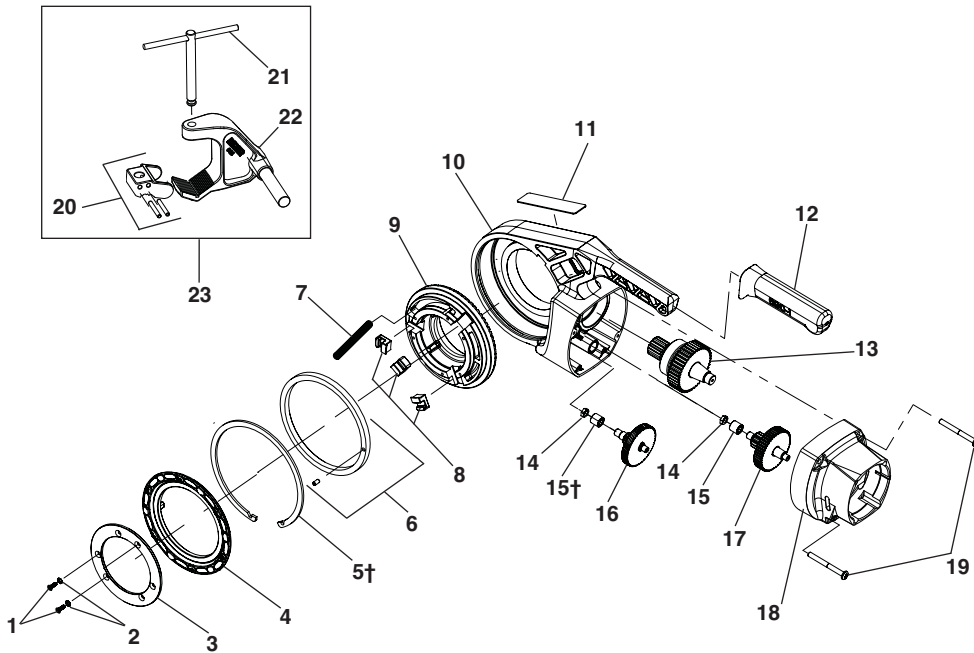


220/230V



tel.: +7 (921) 936-02-07
 tel.: +7 (812) 331-37-51
 www.ridgid-piter.com

NOTE: Order parts by Catalog Number only.
 DO NOT order by Reference Number.

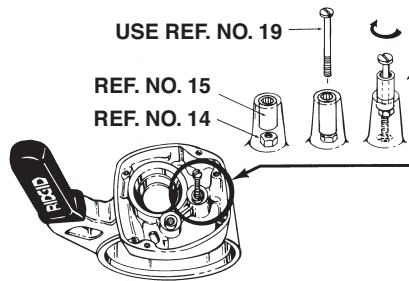


Ref. No.	Catalog No.	Description
1	47068	Screw (6)
2	47073	Lock Washer (6)
3	47063	Lock Plate
4	47058	Drive Ring
5†	43282	Retaining Ring
6	43277	Bearing Retainer
7	47053	Compression Spring
8	47048	Lock Inserts (3)
9	47043	Face Gear
10	43267	Gear Housing
11	47103	Icon Warning Decal
12	47078	Hand Grip
13	43262	3rd Gear Asm.
14	77710	Jam Nut
15†	43242	Needle Bearing
16	43237	1st Gear Asm.
17	43252	2nd Gear Asm.
18	43232	Fan Housing
19	43227	Screw (4)
20	47748	692 Bottom Jaw Asm.
21	47573	692 Screw Asm.
22	47568	692 Support Arm
23	45923	692 Support Arm Asm.

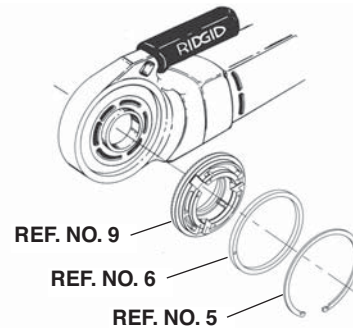
† Service Note

Service Notes

REF. NO. 15 BEARING REMOVAL



REF. NO. 16 RING BEARING (PIN) ORIENTATION



REF. NO. 5 RETAINING RING REMOVAL

